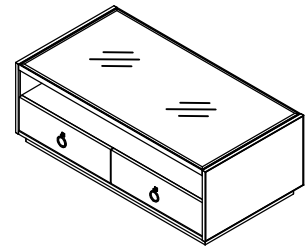


Warning :

- Be sure to check all packing material carefully for small parts, which may have come loose inside the carton during shipment.
- To prevent possible scratches and damage, this furniture **MUST BE ASSEMBLED BY TWO PEOPLE** on a soft surface such as a blanket or carpet.

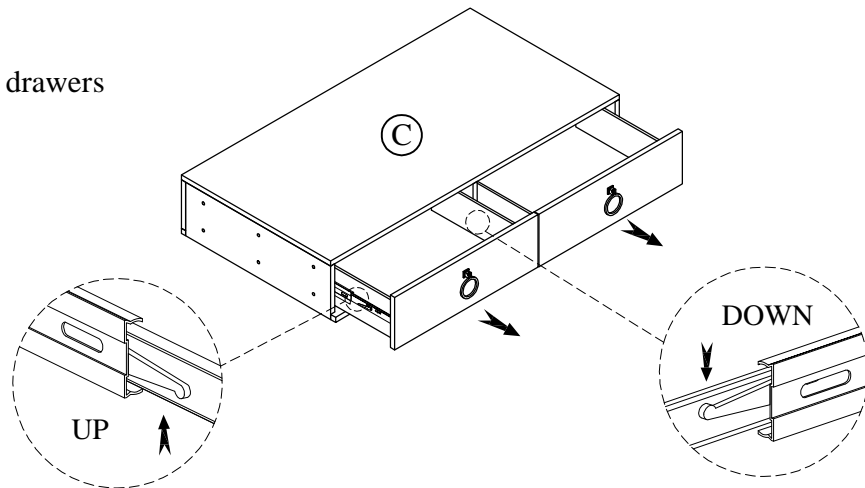


50202
Rectangle Cocktail Table

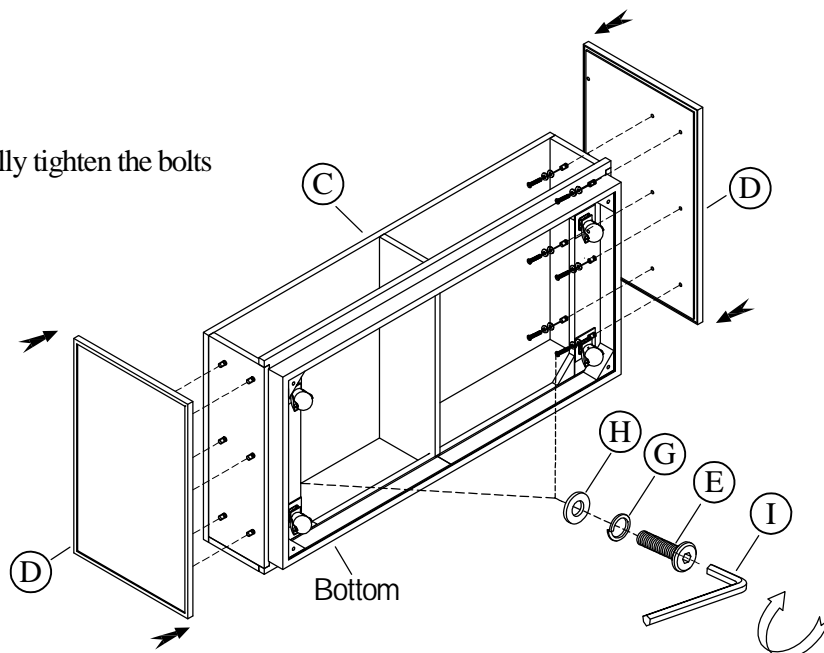
Components and Hardware List

<p>Glass</p> <p>(A) 1 pc.</p>	<p>Top Frame</p> <p>(B) 1 pc.</p>	<p>Storage Box</p> <p>(C) 1 pc.</p>	<p>Side Panel</p> <p>(D) 2 pcs.</p>	<p>Allen Head Bolt Ø1/4"-20 x 1-1/4"</p> <p>(E) 12 pcs.</p>
<p>Allen Head Bolt Ø1/4"-20 x 3/4"</p> <p>(F) 6 pcs.</p>	<p>Spring Washer Ø1/4"</p> <p>(G) 18 pcs.</p>	<p>Flat Washer Ø1/4" x 16*2mm</p> <p>(H) 18 pcs.</p>	<p>Allen Key 4mm</p> <p>(I) 1 pc.</p>	

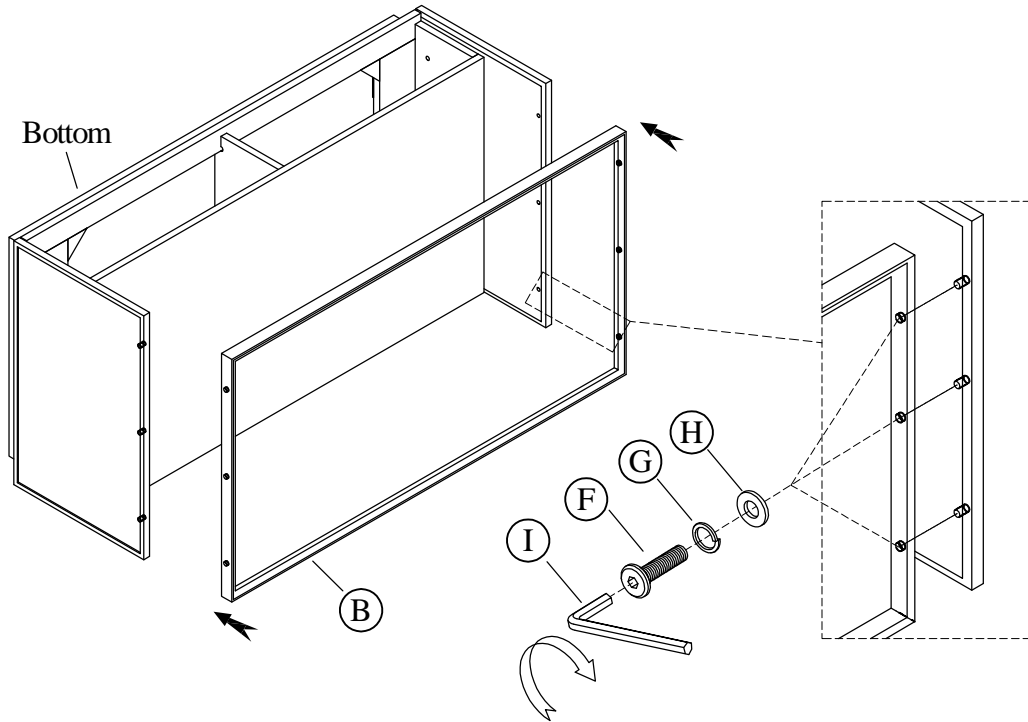
STEP 1: Remove both drawers



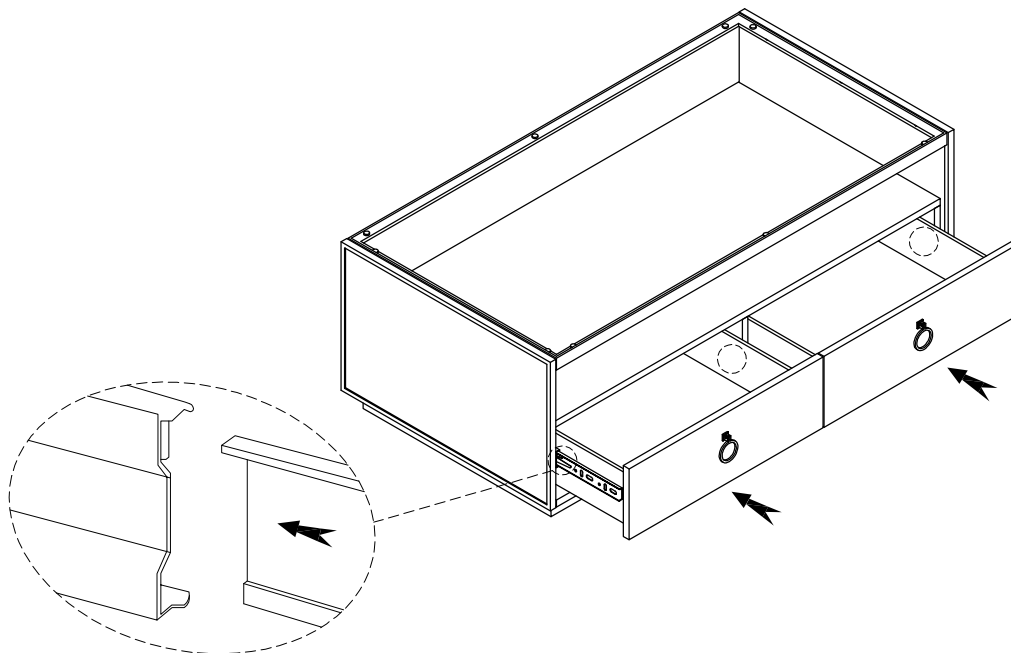
STEP 2: Do not fully tighten the bolts



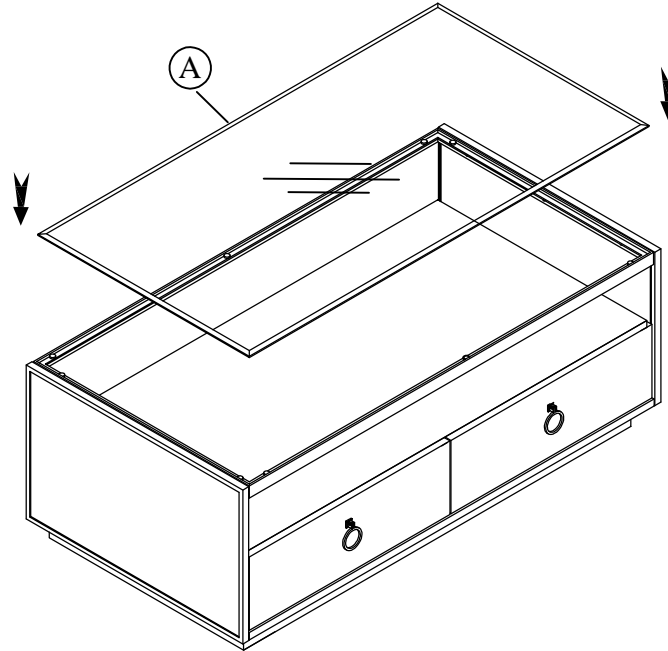
STEP 3: Using the Allen key to tighten all bolts



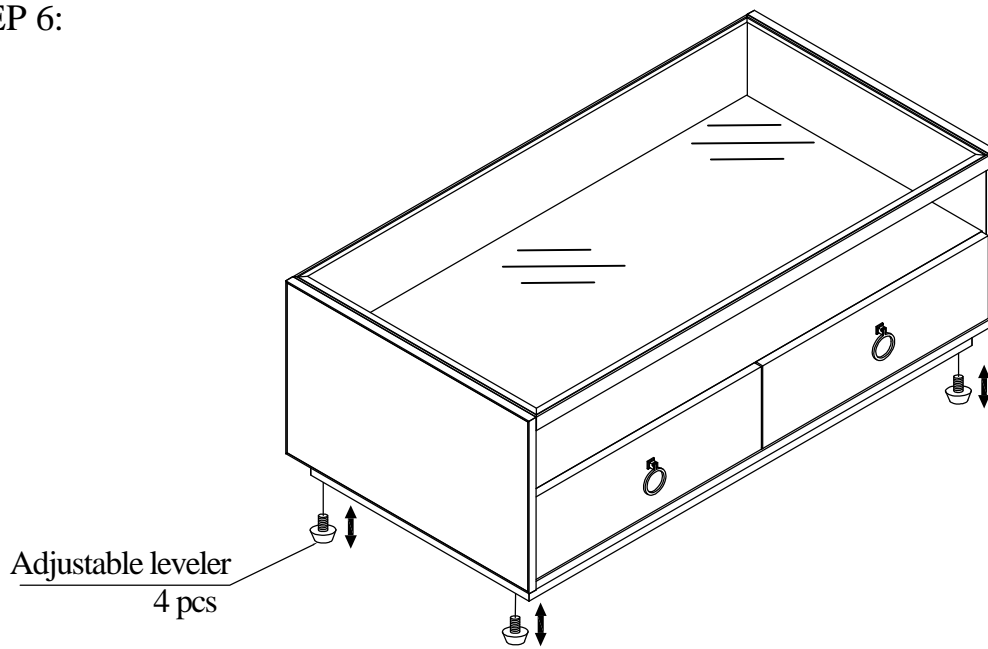
STEP 4: Assemble both drawers



STEP 5:



STEP 6:



The casters provide an element of convenient mobility, however, to prevent possible damage to some types of flooring, never roll casters on unprotected hardwood or vinyl flooring.